

Fig. 1 TRANSMITTER

Table of Values  
Fig. 1

R1 = 82K  
R2, R8 = 100R  
R3, R4 = 1K  
R5 = 27K  
R6 = 1K2  
R7 = 680R  
R<sub>x</sub> = see text  
C1 = 150 pF  
C2, C3 = 47 pF  
C4, C6, C7, C9, C10 = 0.1 μF  
C5 = 500 pF

C8 = 50 μF, 16 v.v.  
VC1 = 100 pF  
RFC1 = 25-50 μH  
RFC2 = 7-8 turns 30 s.w.g. wire on ferrite bead.  
L1 = 22 turns 22 s.w.g. enam. on Amidon T-50-2 former.  
L2 = 10 turns 22 s.w.g. over L1, see drawing.  
X1 = Crystal for band  
TR1, TR2 = 2N3819  
TR3, TR4 = BFY51, 2N3053, or see text.

A LOW COST, LOW TECHNOLOGY, AMATEUR BANDS TRANSCEIVER PROJECT

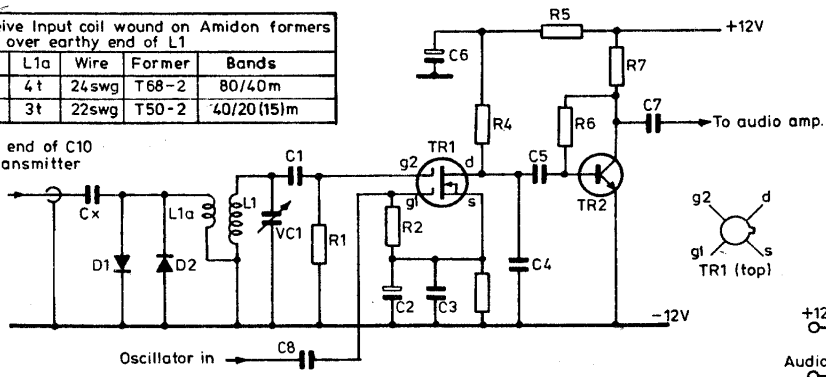
Table of Values  
Fig. 1

R1 = 47K  
R2 = 33K  
R3 = 1K  
R4, R7 = 4.7K  
R5 = 220 ohms  
R6 = 1.2M  
C1, C8 = 100 pF  
C2 = 25 μF elec.  
C3 = 0.02 μF  
C4 = 0.01 μF  
C5, C7 = 0.22 μF  
C6 = 100 μF elec.  
TR1 = 40673 (see text)  
TR2 = BC109  
VC1 = 250 pF variable  
L1, L1A = see text  
D1, D2 = 1N914 or similar  
Cx = see text

Use suitable crystal holders, and phono plugs and sockets. Note: all pF values are silver mica.

Receive Input coil wound on Amidon formers L1a over earthy end of L1				
L1	L1a	Wire	Former	Bands
34t	4t	24 swg	T68-2	80/40m
20t	3t	22 swg	T50-2	40/20 (15)m

Filter end of C10 on Transmitter



THE "S.C.D."

Fig. 1. "S.C.D." RECEIVER MIXER CIRCUIT

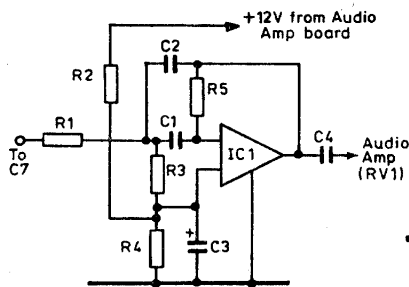


Fig. 3 AUDIO FILTER CIRCUIT

R1 = 38K  
R2, R4 = 27K  
R3 = 24K  
R5 = 1.8M  
C1, C2 = 0.001 μF, 2%  
C3 = 10 μF elec.  
C4 = 0.01 μF  
IC1 = 741

Table of Values  
Fig. 4

R1, R2 = 3K3  
C1, C2 = 0.1 μF  
RV1 = 22K preset  
RV2 = 5K preset  
TR1 = BC108 or similar  
TR2 = Unijunction TIS43 etc. (E5557, UT46)

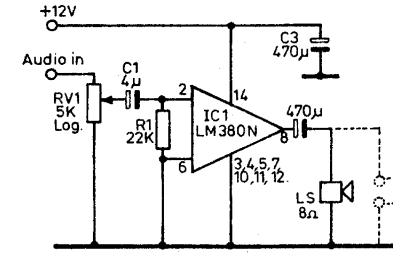


Fig. 3 "S.C.D." AUDIO AMPLIFIER

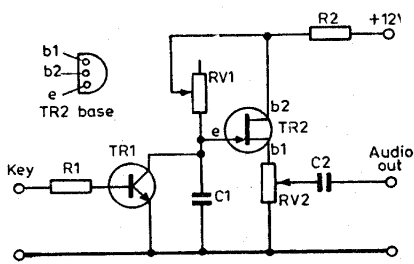


Fig. 4 SIDETONE OSCILLATOR

Title: SCD Transceiver.

Author: Revd. George Dobbs G3RJV  
Page 1 of 1

